

RFID Readers

With a polycarbonate front panel and a noticeable rectangular status LED, the MTPX RFID reader has a sleek, thin appearance. Available in Mifare or EH, the Wiegand-compatible reader can read credentials at either 125 kHz or 13.56 MHz.

FEATURES

- Resin potted electronics
- Configurable Wiegand output 24, 26, 32, 34, 40, 42, 56, 58 bits
- Operating voltage: 9 to 14 V DC
- Current consumption: 130 mA max.
- Backlight control: Red, Green, Orange controlled by master device
- Audible signal: Internal buzzer

ENVIRONMENTAL FEATURES

- Operating temperatures: -20°C to +50°C
- Operating humidity: 0% to 95% (non-condensing)
- Protection standard: IP65



VARIANTS

| References | Functions and credentials | | | Communication |
|------------|--------------------------------------|---|------------------|--|
| | 125 kHz EM/HID* (EM4100/HID Prox) | 13.56 MHz (ISO 14443-A (MIFARE®)) | Reading range | Wiegand 24 to 66 bits (by default 34 bits) |
| MTPX-MF | V | X | up to 6 cm | V |
| MTPX-EH | X | V | up to 5 cm | V |

LEDs

LEDs managed by the host controller.



Green LED
Access granted

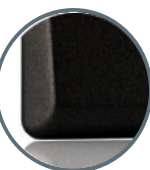
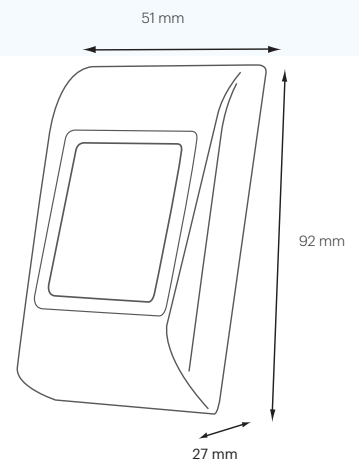


Orange LED
Idle mode



Red LED
Access denied

DIMENSIONS



Black - ABS

COLOUR