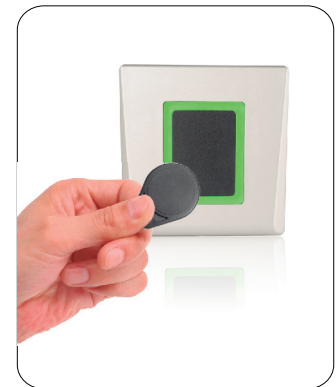


The style of DINMTPX blends in with any type of decor, so it will look great on your wall. It will also meet your expectations in terms of performance. It contains a rectangular LED that shows the reader status and is simple to install and operate.

DINMTPX, available in Mifare or EM/HID 125KHz, is compatible with most access controllers and Time & Attendance systems. It incorporates industry standard Wiegand protocol.



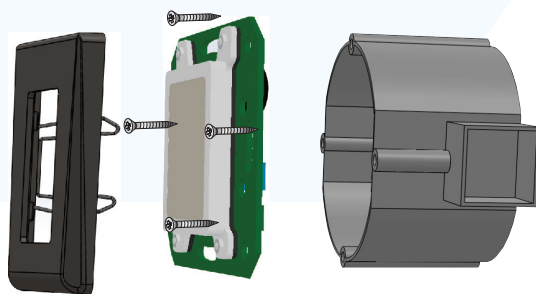
FEATURES

- Buzzer ON/OFF
- Reader Data Output: Wiegand 26, 34, 37, 42, 24, 32, 35, 40 bits
- Tamper protection: When opened or dismantled
- Operating Voltage: 9 to 14 V DC
- Current consumption: DINMTPX-EH: 45 mA max.
DINMTPX-MF: 150 mA max.
- Operating Temperatures: -20°C to +50°C (non-condensing)
- Protection standard: IP40

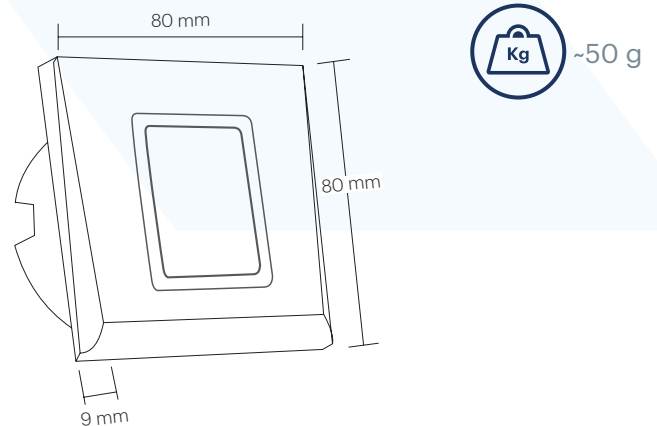
VARIANTS

References	Functions and credentials		Reading Range	Communication Wiegand 24 to 66 bits (by default 34 bits)
	125 KHz EM/HID* (EM4100/HID Prox)	13.56 MHz (ISO 14443-A (MIFARE®))		
DINMTPX-MF-E	V	X	up to 6 cm	V
DINMTPX-EH-E	X	V	up to 7 cm	V

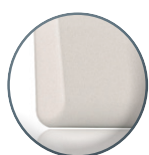
MOUNTING



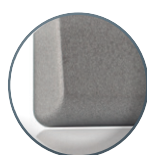
DIMENSIONS



FRAME COLOUR



DINFPS
Silver



DINFPC
Charcoal



DINFPW
White

LEDs

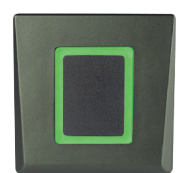
LEDs managed by the host controller.



Orange LED
Idle mode



Red LED
Access denied



Green LED
Access granted